

Rove Concepts

Antonio Left Arm Chaise

European styling and generous proportions give the Antonio a unique and stunning presence. Meticulously structured seams and a low profile are modern and minimalist. High chaise pillow tops create corners of intimacy while low back modules leave living space unobstructed for a feeling of openness. Various configurations of this collection allow for customization to any space.

See the entire Antonio Collection here.

Also available in modular sectional here.

Learn more about the Antonio design here.



Details

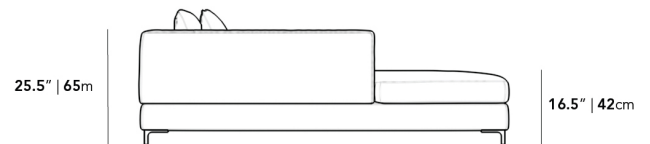
- Kiln-dried hardwood frame with doweled joints and reinforced corner blocks
- Soft-padded frame made with polyurethane foam wrapped in polyester fiber
- 8 gauge sinuous spring construction
- 3 layer high-density foam cushioning topped with premium 100% goose feathers
- Double layer back cushions are stitched together
- Connectors are not used with this piece
- Low profile solid stainless steel legs
- Soft Feel (Learn more about our sofa firmness here.)
- Legs require light assembly

Dimensions

41 in x 82 in x 25.5 in (Width x Depth x Height)
 Seat Height: 16.5 in
 All measurements are approximations.



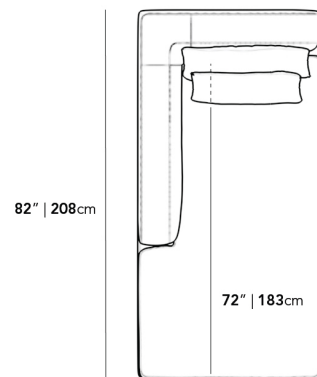
41" | 104cm



25.5" | 65cm

16.5" | 42cm

82" | 208cm



82" | 208cm

72" | 183cm